

User Guide

EVB-ATEK254N3-01

Document Code : 023-01004201
Revision No : 01
Revision Date : 08/07/2021

Revisions

Revision No	Revision Date	Revision Reason	Section / Page No
1.0	08.07.2021	Initial Version	

INDEX

1 GENERAL INFORMATION 3

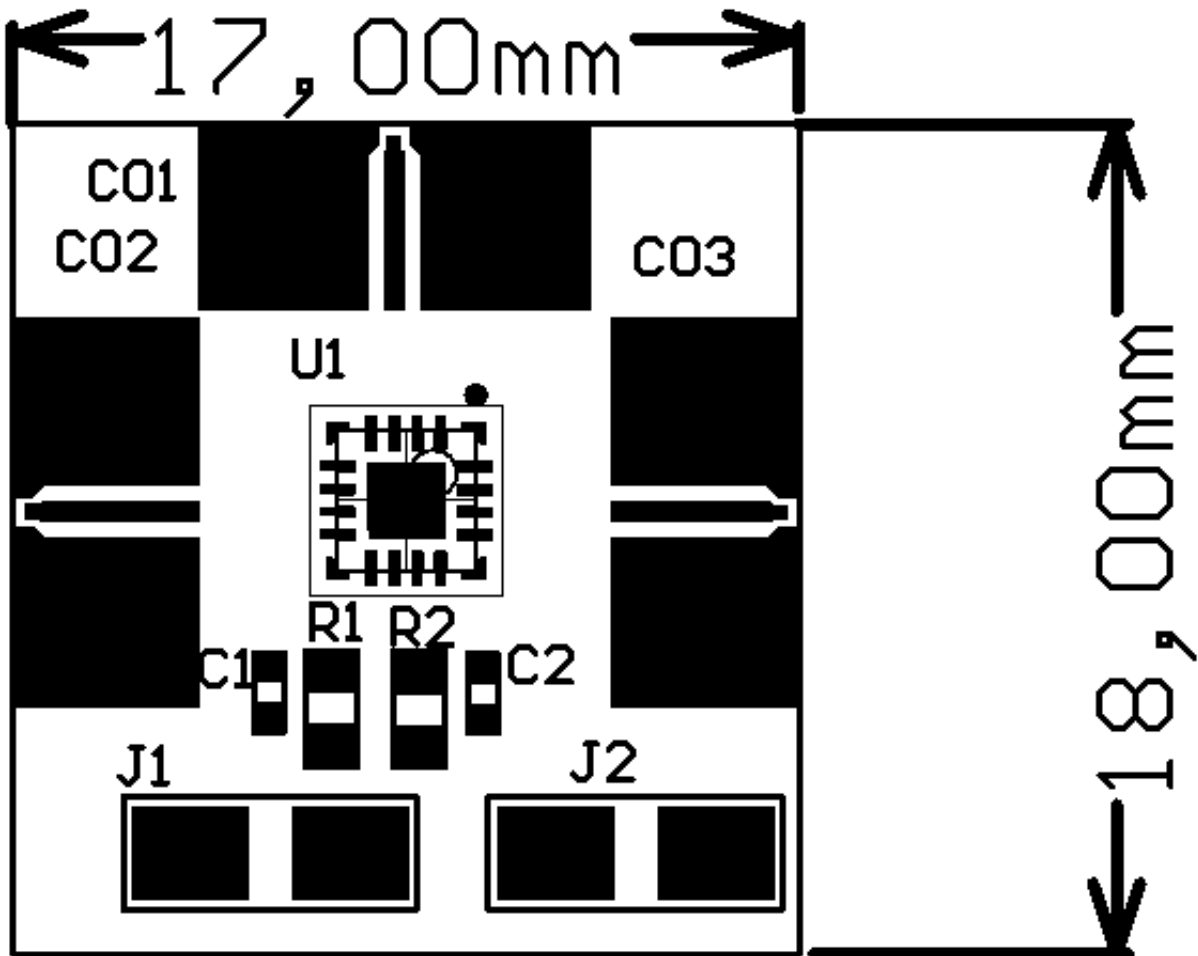
2 DESIGN INFORMATION 4

2.1 SCHEMATIC 4

2.2 BOM 4

3 TYPICAL PERFORMANCE PLOTS..... 5

1 GENERAL INFORMATION



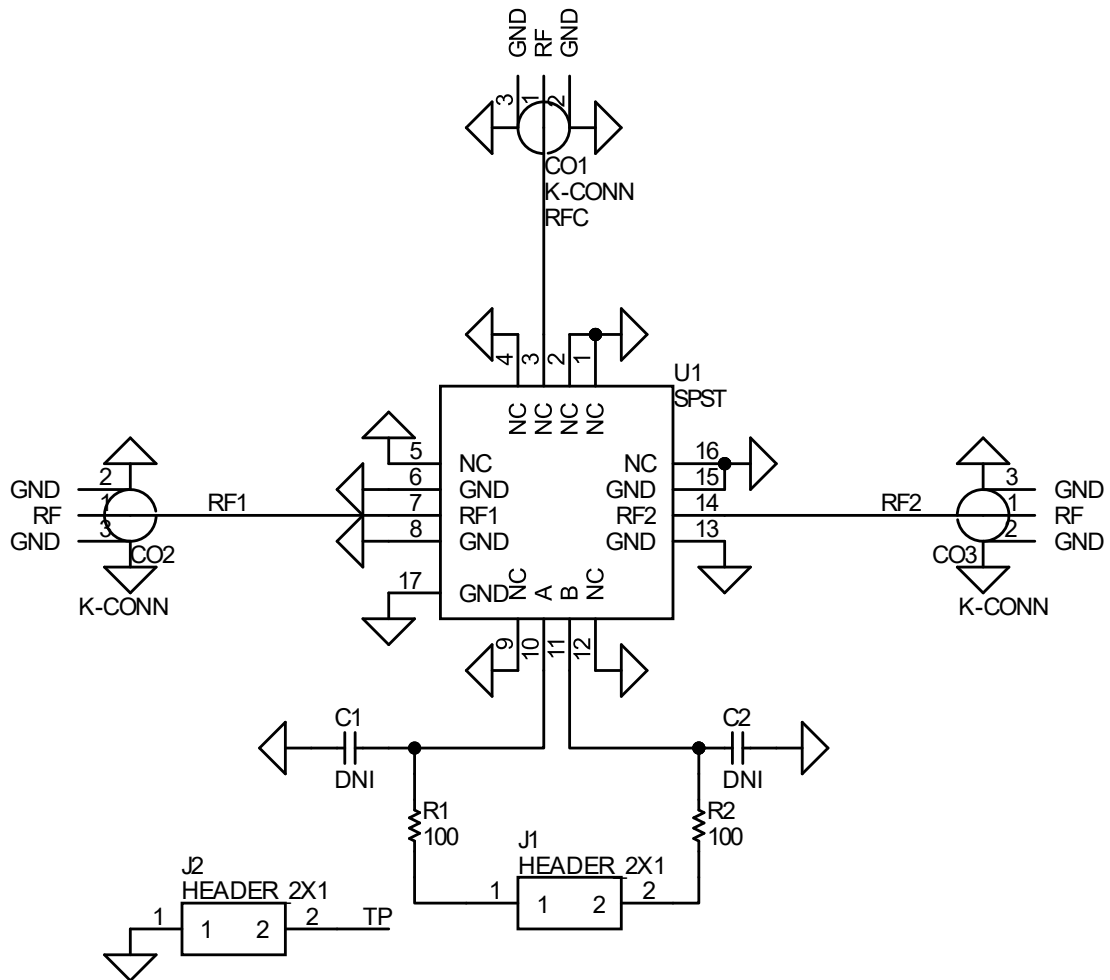
PIN Name	Definition	Comment
C01	N/A	K Connector
C02	RF IN	K Connector
C03	RF OUT	K Connector
J1 Left	CTRL A	2.54mm Header
J1 Right	CTRL B	2.54mm Header
J2 Left	N/A	2.54mm Header
J2 Right	GND	2.54mm Header

Notes:

1. VDD Voltage is detailed in Datasheet.
2. Control Voltage is detailed in Datasheet.
3. The definition of up, down, right, and left is valid for this view of PCB.

2 DESIGN INFORMATION

2.1 SCHEMATIC



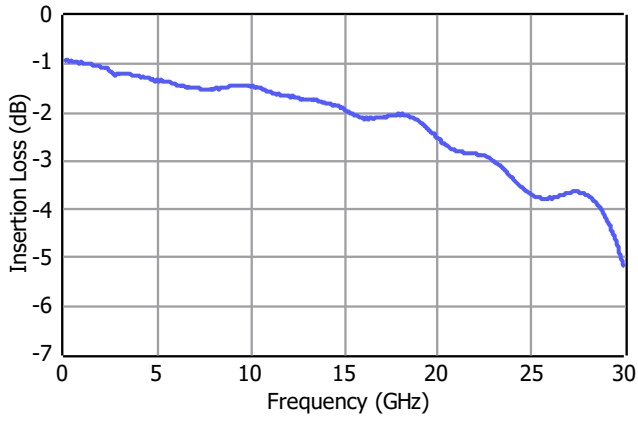
2.2 BOM

Designator	Footprint	Qty	Comment	PN
CO1, CO2, CO3	K Connector	3	K Connector	96-02-5M2-037A
J1, J2	HEADER_2X1	2	HEADER_2X1	
R1, R2	0603	2	OR	
U1	ATEKQ3316	1	SPST	ATEK254 N48

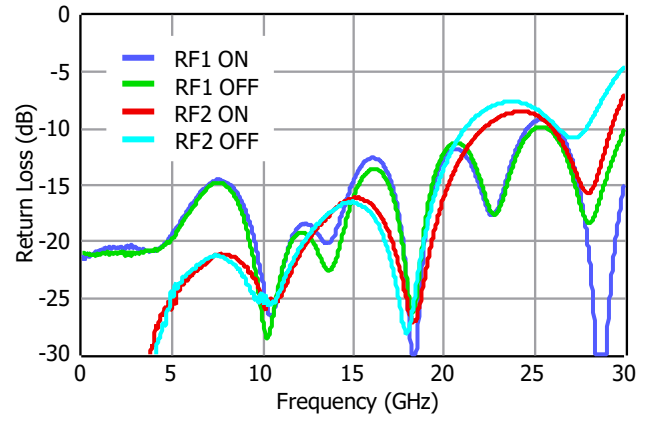
3 TYPICAL PERFORMANCE PLOTS

Conditions unless otherwise specified: $V_{CTRL} = 0/-5\text{ V}$, $T = 25\text{ C}$, CW. For details, please refer to the datasheet.

Insertion Loss



Return Loss



Isolation from RF1 to RF2

