

User Guide

EVB-ATEK254N3-02

Document Code : 023-134101
Revision No : 01
Revision Date : 29/07/2021

Revisions

Revision No	Revision Date	Revision Reason	Section / Page No
1.0	29.07.2021	Initial Version	

INDEX

1 GENERAL INFORMATION 3

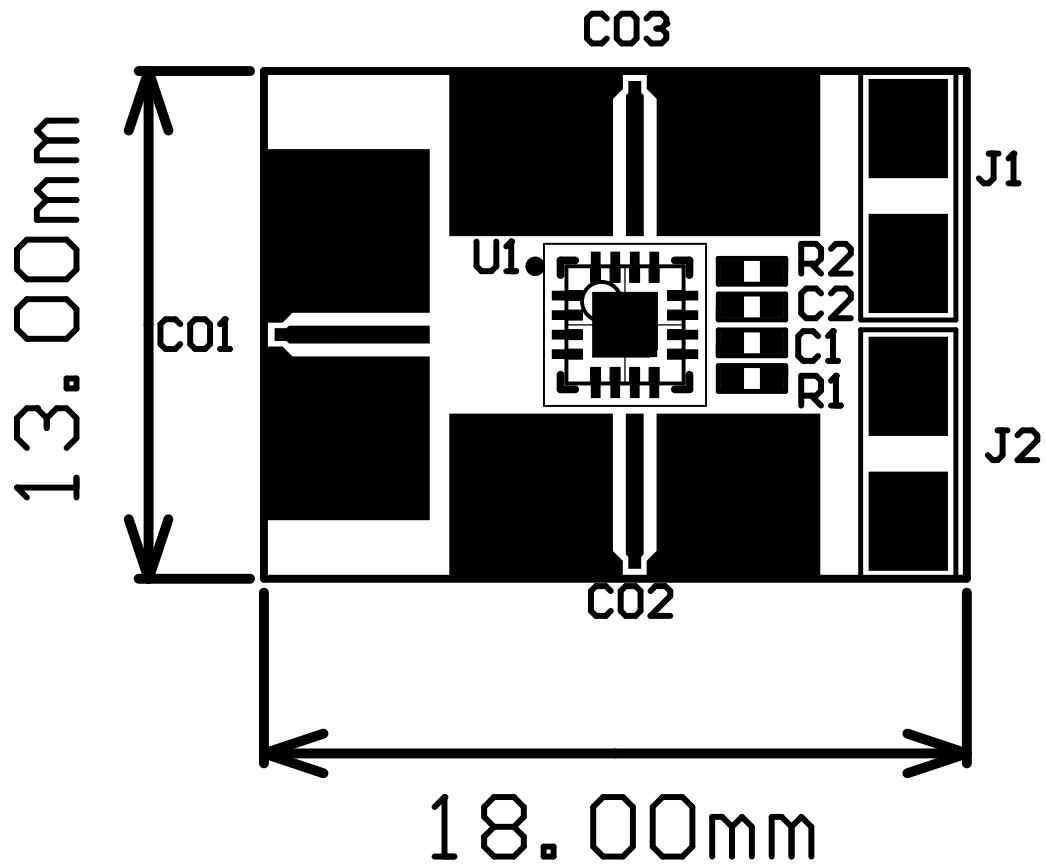
2 DESIGN INFORMATION 4

2.1 SCHEMATIC 4

2.2 BOM 4

3 TYPICAL PERFORMANCE PLOTS..... 5

1 GENERAL INFORMATION



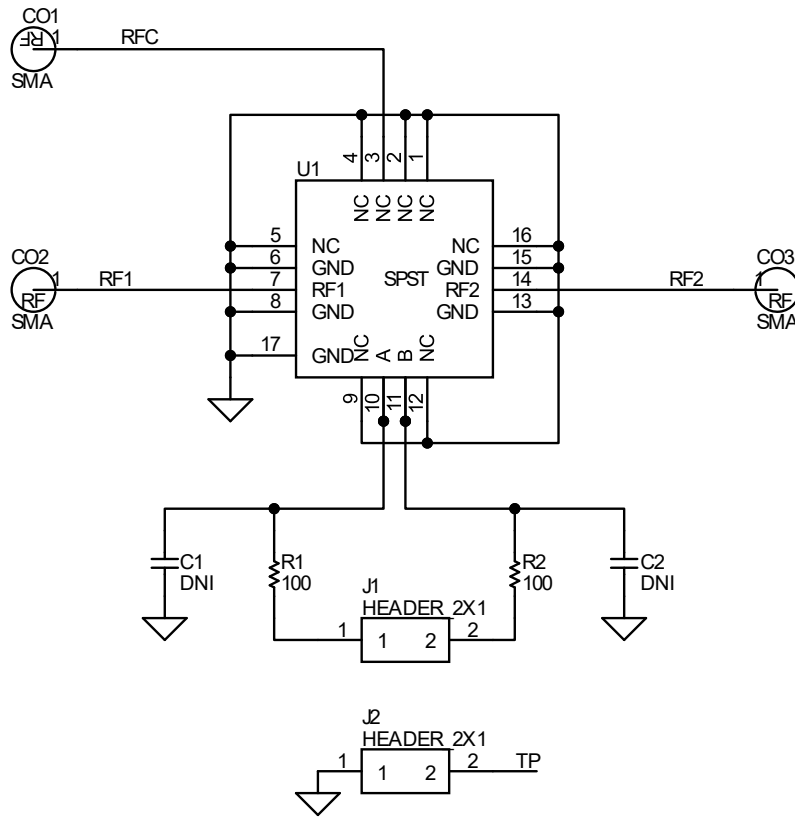
PIN Name	Definition	Comment
CO1	N/A	K Connector
CO2	RF IN	K Connector
CO3	RF OUT	K Connector
J1 Up	CTRL A	2.54mm Header
J1 Down	CTRL B	2.54mm Header
J2 Up	N/A	2.54mm Header
J2 Down	GND	2.54mm Header

Notes:

1. VDD Voltage is detailed in Datasheet.
2. Control Voltage is detailed in Datasheet.
3. The definition of up, down, right, and left is valid for this view of PCB.

2 DESIGN INFORMATION

2.1 SCHEMATIC



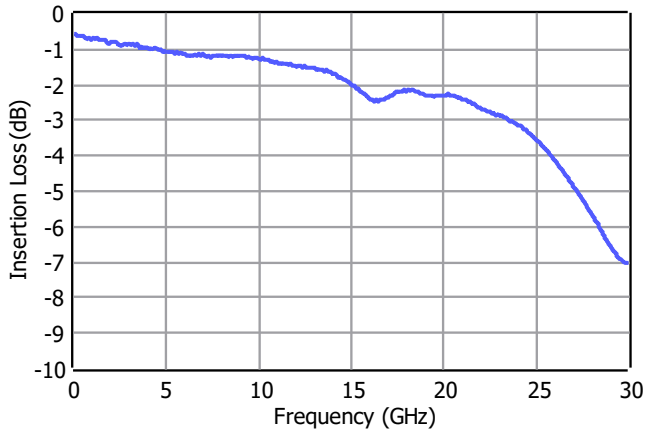
2.2 BOM

Designator	Footprint	Qty	Comment	PN
C1, C2	0402	2	100pF	
CO1	K Connector	1	DNP	
CO2, CO3	K Connector	2	K Connector	ATEK9292
J1, J2	HEADER_2X1	2	HEADER_2X1	
R1, R2	0402	2	OR	
U1	ATEKQ3316	1	SPST	ATEK254 N48

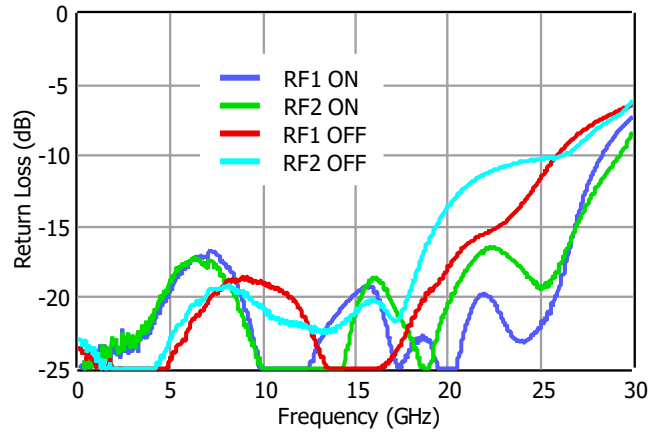
3 TYPICAL PERFORMANCE PLOTS

Conditions unless otherwise specified: $V_{CTRL} = 0/-5\text{ V}$, $T = 25\text{ C}$, CW. For details, please refer to the datasheet.

Insertion Loss



Return Loss



Isolation from RF1 to RF2

