

User Guide

EVB-ATEK590P2-01

Document Code : 023-116101
Revision No : 01
Revision Date : 03/08/2021

Revisions

Revision No	Revision Date	Revision Reason	Section / Page No
1.0	03.08.2021	Initial Version	

INDEX

1 GENERAL INFORMATION 3

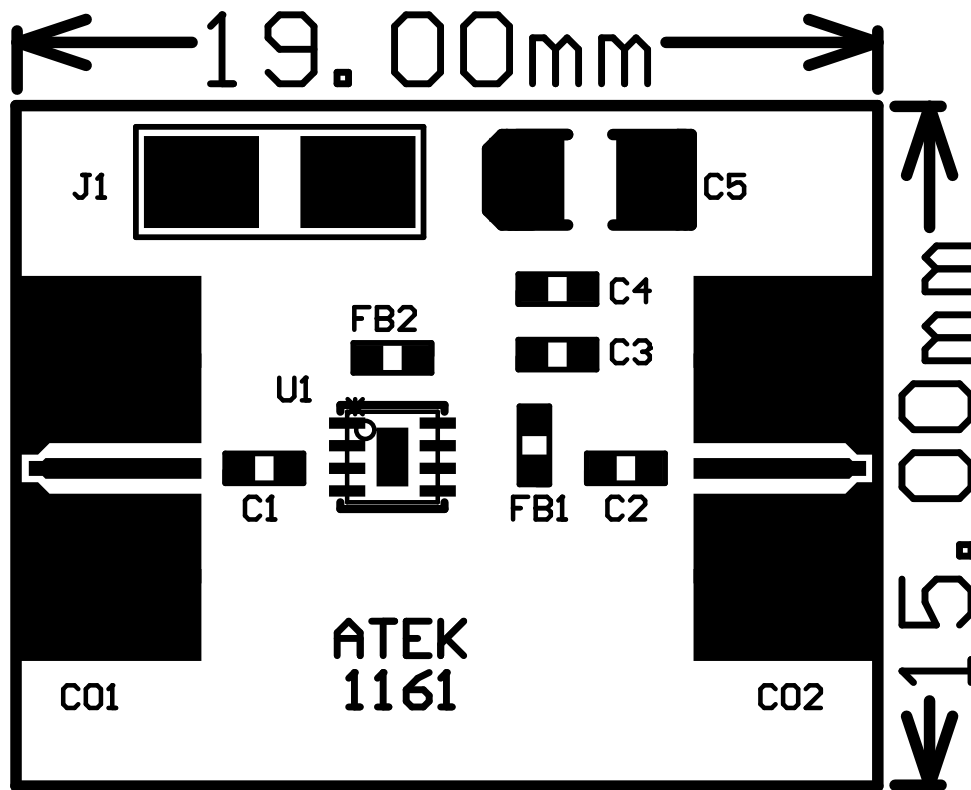
2 DESIGN INFORMATION 4

2.1 SCHEMATIC 4

2.2 BOM 4

3 TYPICAL PERFORMANCE PLOTS..... 5

1 GENERAL INFORMATION



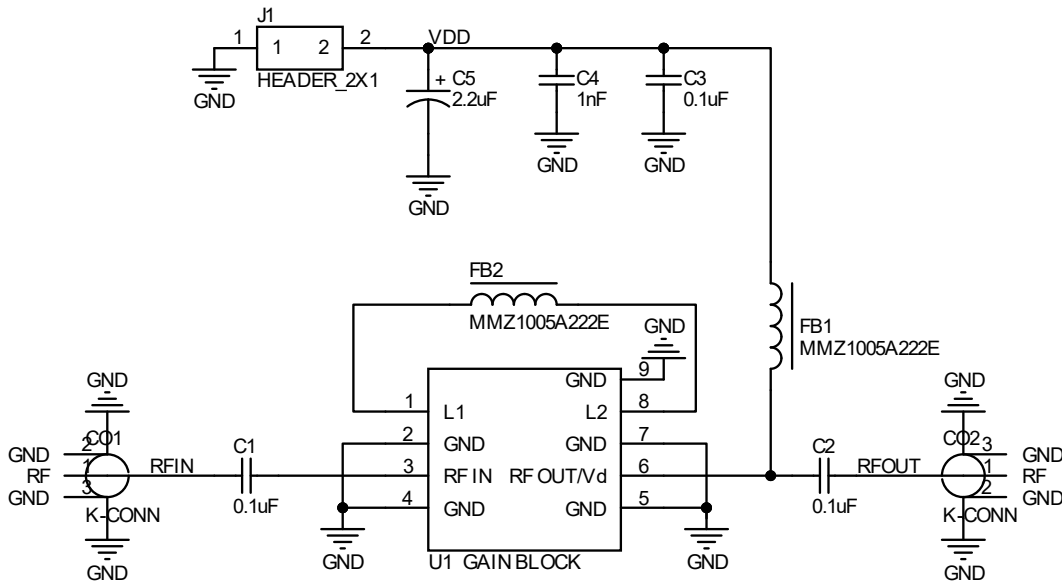
PIN Name	Definition	Comment
CO1	RF IN	SMA Connector
CO2	RF OUT	SMA Connector
J1 Right	GND	2.54mm Header
J1 Left	VDD	2.54mm Header

Notes:

1. VDD Voltage is detailed in Datasheet.
2. The definition of up, down, right, and left is valid for this view of PCB.

2 DESIGN INFORMATION

2.1 SCHEMATIC



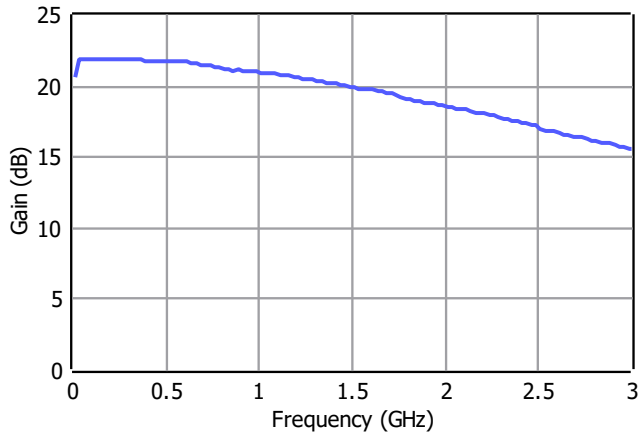
2.2 BOM

Designator	Footprint	Qty	Comment	PN
C1, C2	0402	2	0.1 uF	530Z104KT10T
C3	0402	1	0.1 uF	
C4	0402	1	1 nF	
C5	CASEA	1	2.2 uF	
CO1, CO2	SMA Connector	2	SMA Connector	
J1	HEADER_2X1	1	HEADER_2X1	
FB1	0402	1	Ferrite Bead	MMZ1005A222E
FB2	0402	1	DNP	
U1	ATEKQ2208	1	GAIN BLOCK	ATEK590 P42

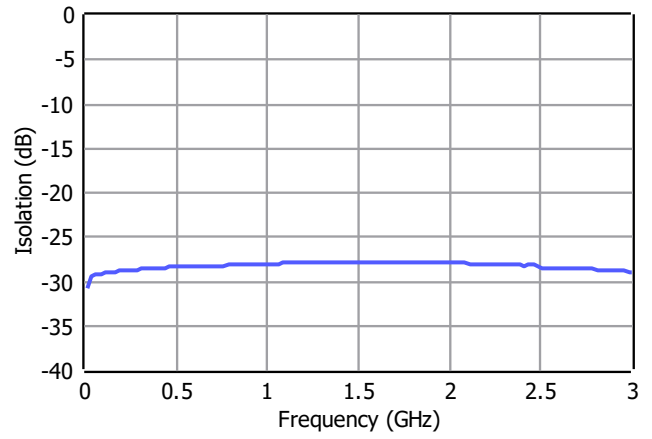
3 TYPICAL PERFORMANCE PLOTS

Conditions unless otherwise specified: $V_{DD} = 5\text{ V}$, $T = 25\text{ C}$, CW. For details, please refer to the datasheet.

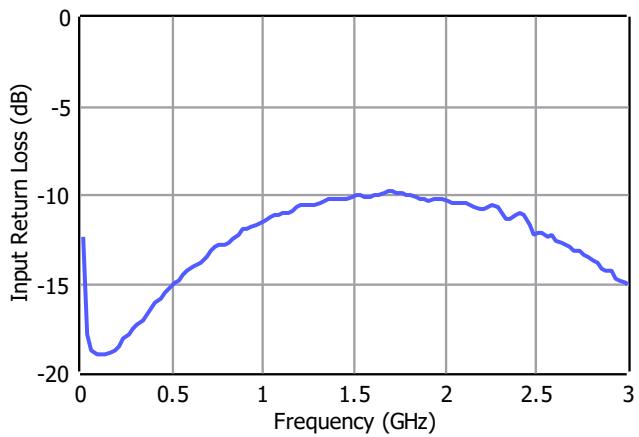
Gain



Isolation



Input Return Loss



Output Return Loss

