



User Guide

EVB-ATEK591P3-01

Document Code : 023-147101
Revision No : 01
Revision Date : 09/09/2022

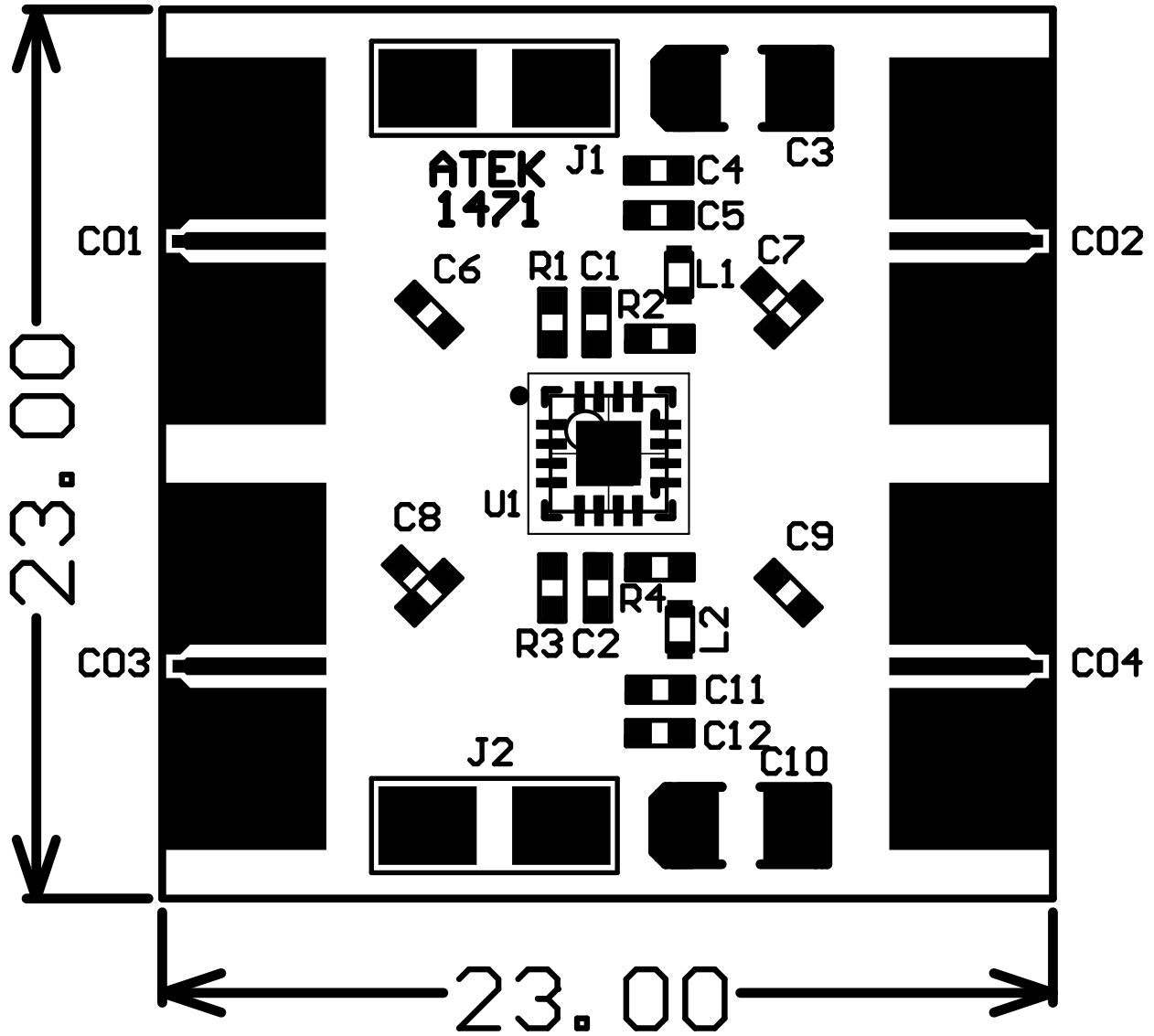
Revisions

Revision No	Revision Date	Revision Reason	Section / Page No
1.0	09.09.2022	Initial Release	

INDEX

1	GENERAL INFORMATION	3
2	DESIGN INFORMATION	4
2.1	SCHEMATIC	4
2.2	BOM	4
3	TYPICAL PERFORMANCE PLOTS.....	5

1 GENERAL INFORMATION



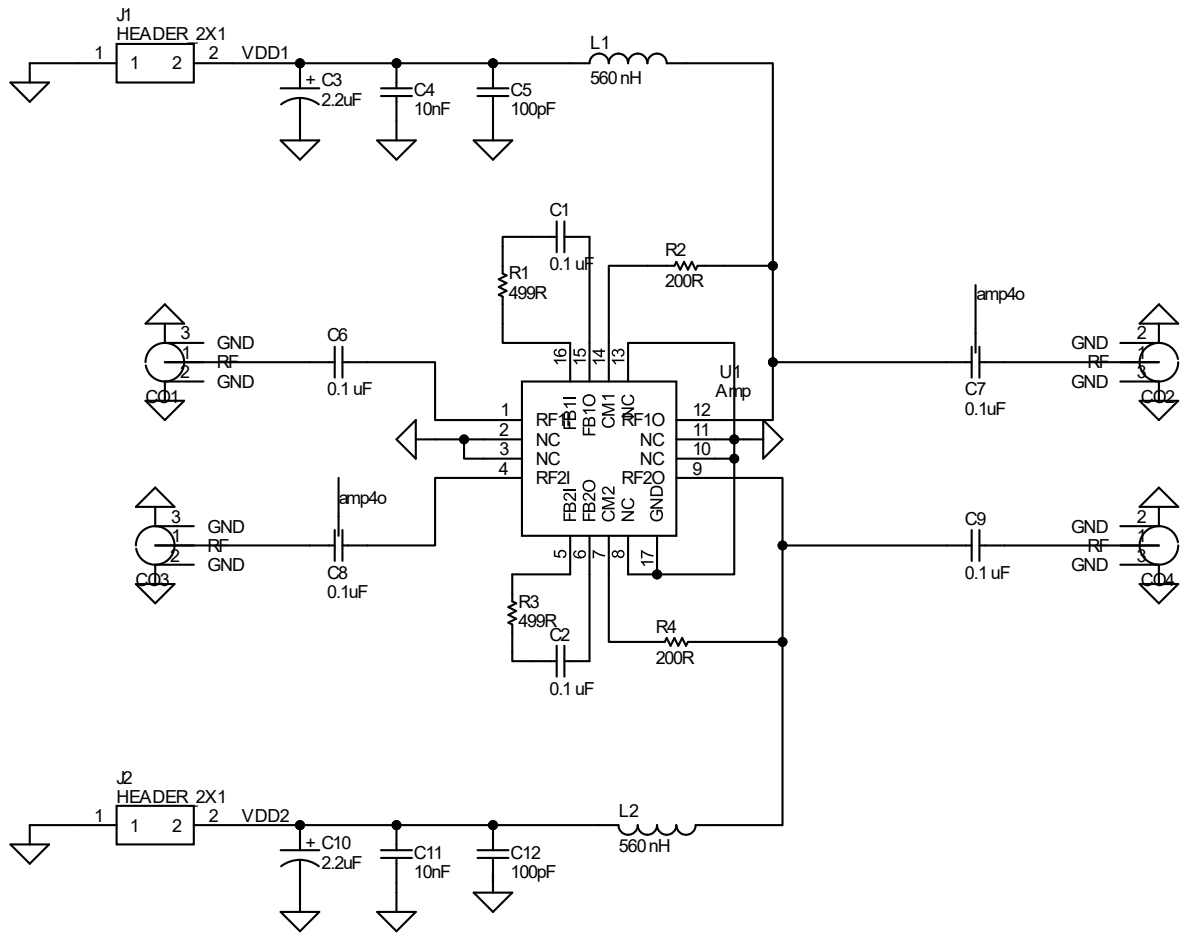
PIN Name	Definition	Comment
C01	RF1 IN	SMA Connector
C02	RF1 OUT	SMA Connector
C03	RF2 IN	SMA Connector
C04	RF2 OUT	SMA Connector
J1 Right, J2 Right	VDD	2.54mm Header
J1 Left, J2 Left	GND	2.54mm Header

Notes:

1. VDD Voltage is detailed in Datasheet.
2. The definition of right and left is valid for this view of PCB.

2 DESIGN INFORMATION

2.1 SCHEMATIC



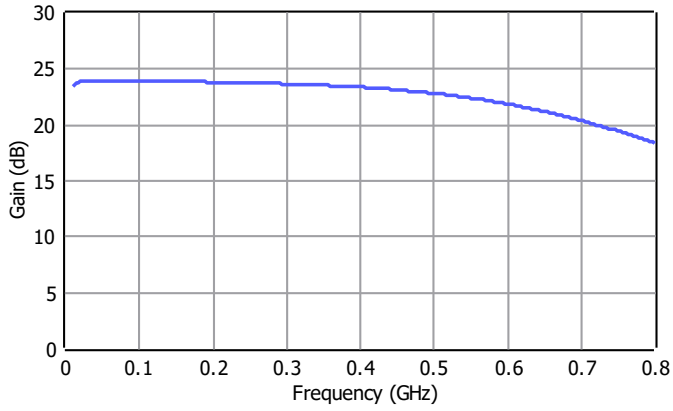
2.2 BOM

Designator	Footprint	Qty	Comment	Part No
C1, C2, C6, C9	0402	2	100nF	
C3, C10	CASEA	2	2.2uF	
C4, C11	0402	2	10nF	
C5, C12	0402	2	100pF	
C7, C8	0402-3Pad	2	100nF	
CO1, CO2, CO3, CO4	SMA Connector	4	SMA Connector	
J1, J2	2x1 Header	2	2x1 Header	
L1, L2	0402	2	560nH	
R1, R3	0402	2	499R	
R2, R4	0402	2	200R	
U1	ATEKQ3316	1	Amplifier	ATEK591P3

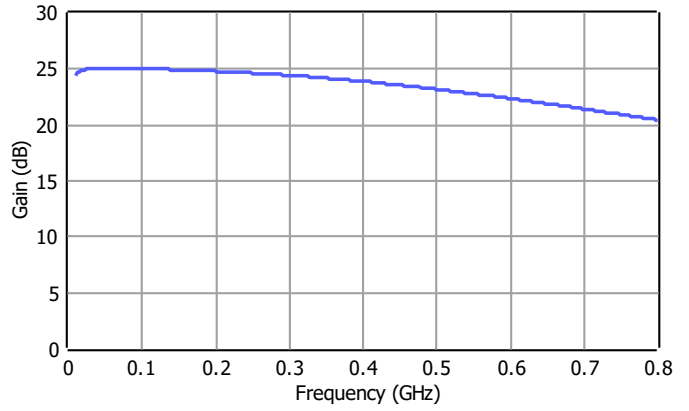
3 TYPICAL PERFORMANCE PLOTS

Conditions unless otherwise specified: $V_{DD} = 5\text{ V}$, $T = 25\text{ C}$, CW. For details, please refer to the datasheet.

Amplifier 1 Gain



Amplifier 2 Gain



2 Stage Amplifier Gain (Amp2 is driven by Amp1)

