

User Guide

EVB-ATEK817P4-01

Document Code : 023-135101
Revision No : 01
Revision Date : 29/07/2021

Revisions

Revision No	Revision Date	Revision Reason	Section / Page No
1.0	29.07.2021	Initial Version	

INDEX

1 GENERAL INFORMATION 3

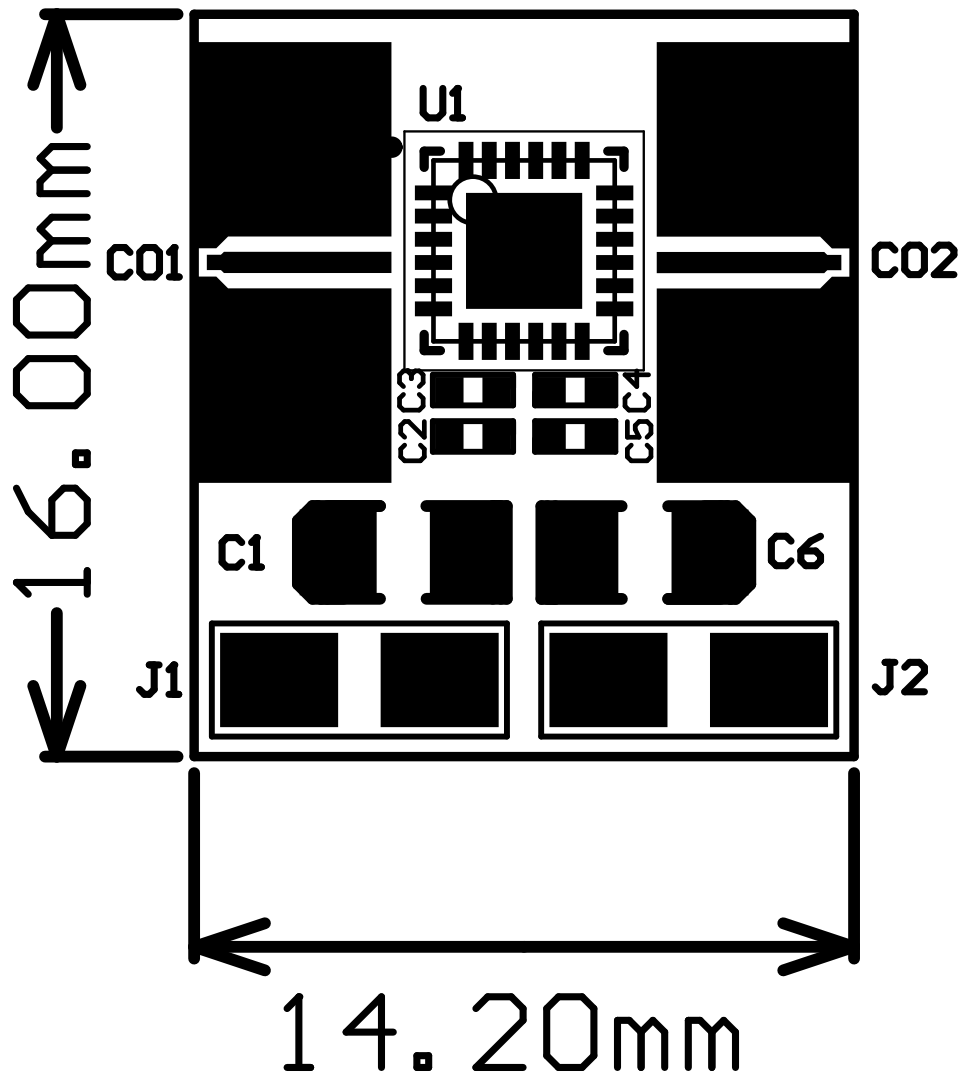
2 DESIGN INFORMATION 4

2.1 SCHEMATIC 4

2.2 BOM 4

3 TYPICAL PERFORMANCE PLOTS..... 5

1 GENERAL INFORMATION



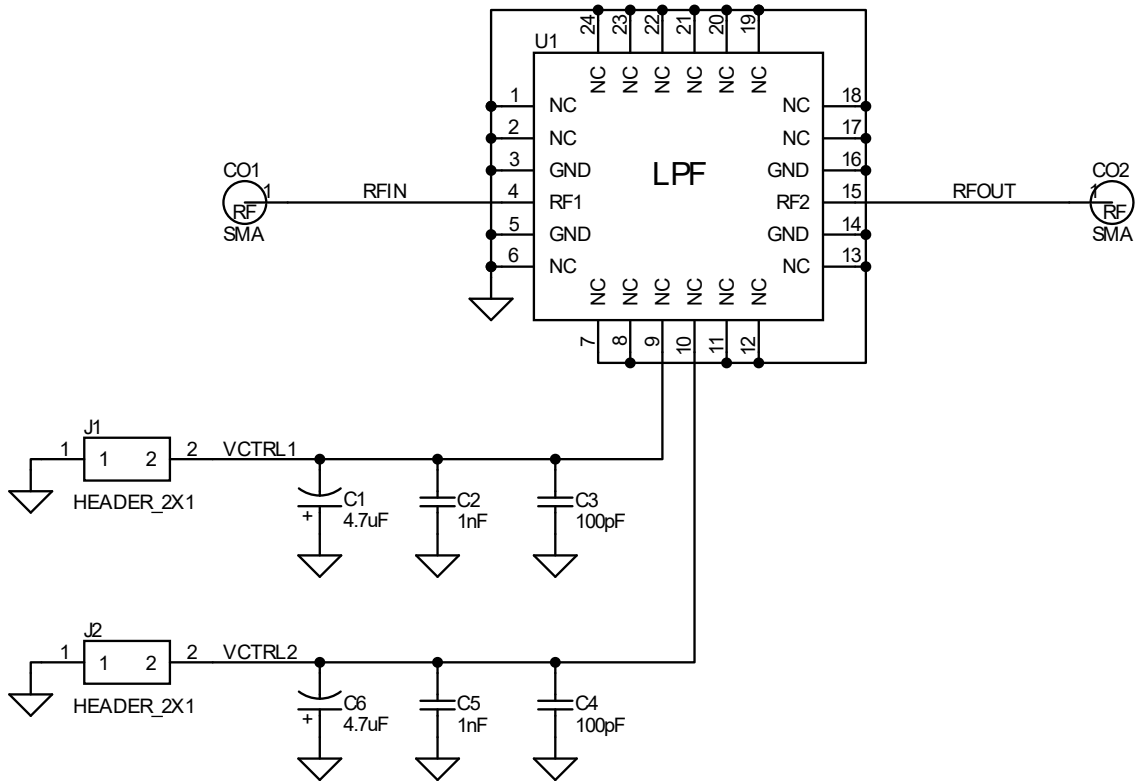
PIN Name	Definition	Comment
CO1	RF IN	SMA Connector
CO2	RF OUT	SMA Connector

Notes:

1. VDD Voltage is detailed in Datasheet.
2. Control Voltage is detailed in Datasheet.
3. The definition of up, down, right, and left is valid for this view of PCB.

2 DESIGN INFORMATION

2.1 SCHEMATIC



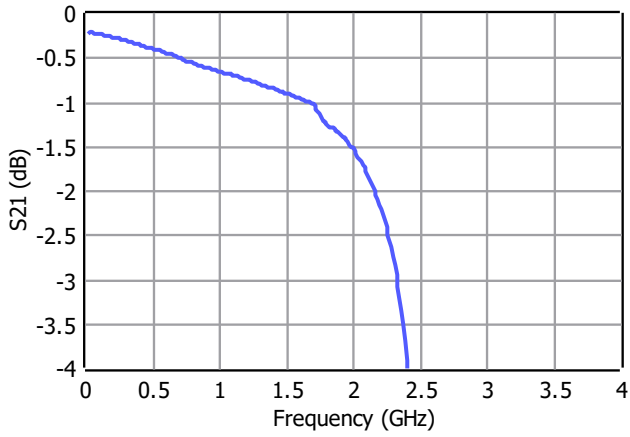
2.2 BOM

Designator	Footprint	Qty	Comment	PN
CO1, CO2	SMA Connector	2	SMA Connector	
U1	ATEKQ4424	1	Band Pass Filter	ATEK817 P51

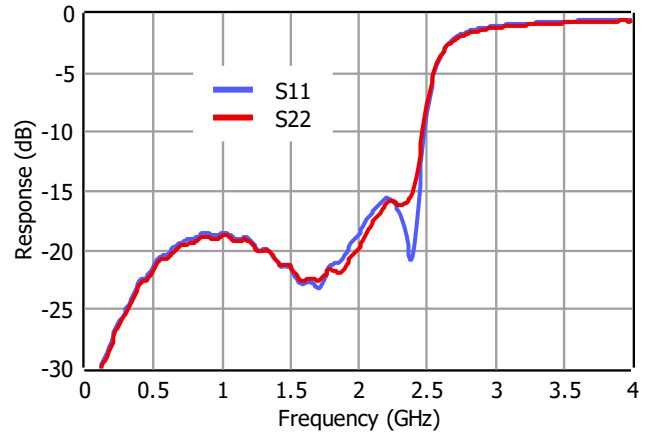
3 TYPICAL PERFORMANCE PLOTS

Conditions unless otherwise specified: Typical, T = 25 C, CW. For details, please refer to the datasheet.

S21 Inband Loss



S11 and S22



S21 Wideband

