

User Guide

EVB-ATEK950AP6-01

Document Code : 023-104101
Revision No : 01
Revision Date : 18/05/2021

Revisions

Revision No	Revision Date	Revision Reason	Section / Page No
1.0		Initial Version	

INDEX

1 GENERAL INFORMATION 3

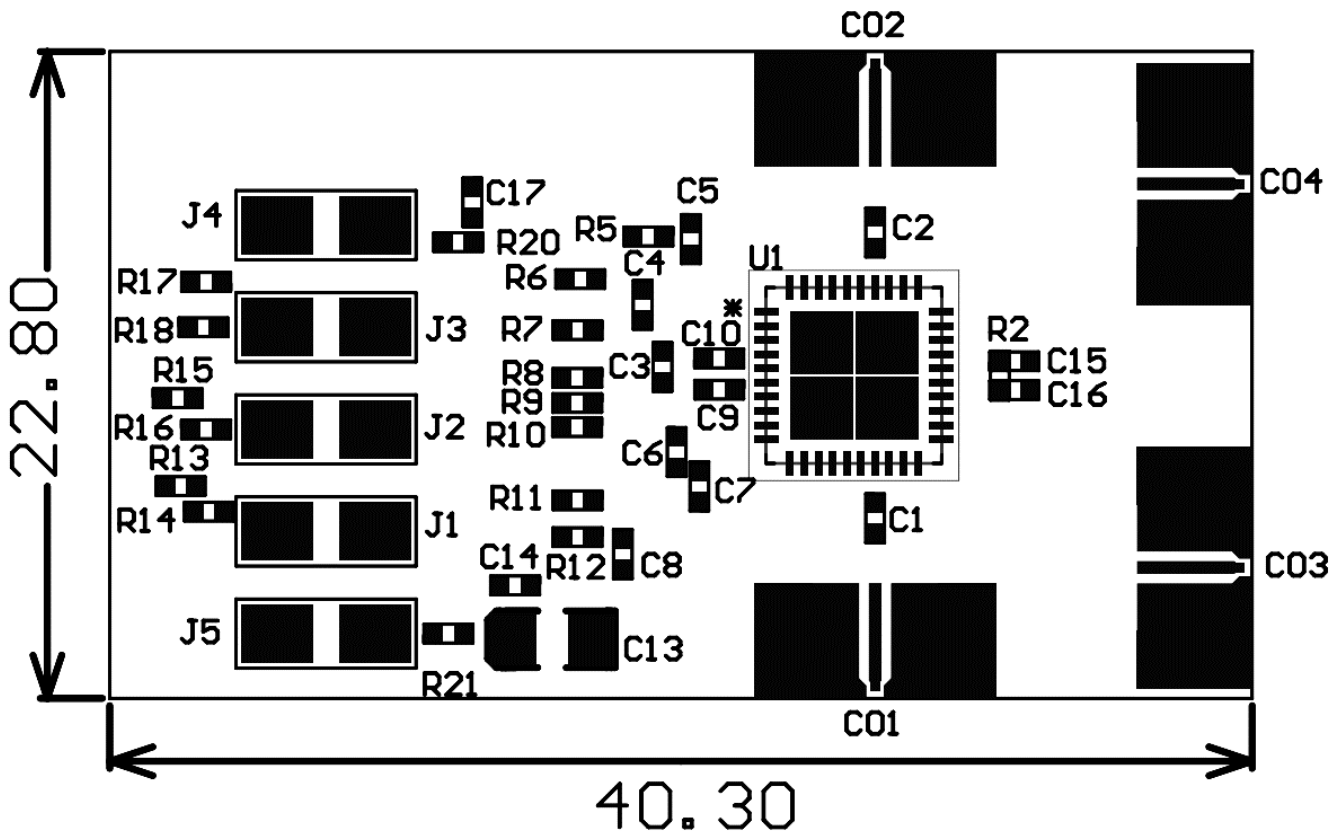
2 DESIGN INFORMATION 4

2.1 SCHEMATIC 4

2.2 BOM 4

3 TYPICAL PERFORMANCE PLOTS..... 5

1 GENERAL INFORMATION



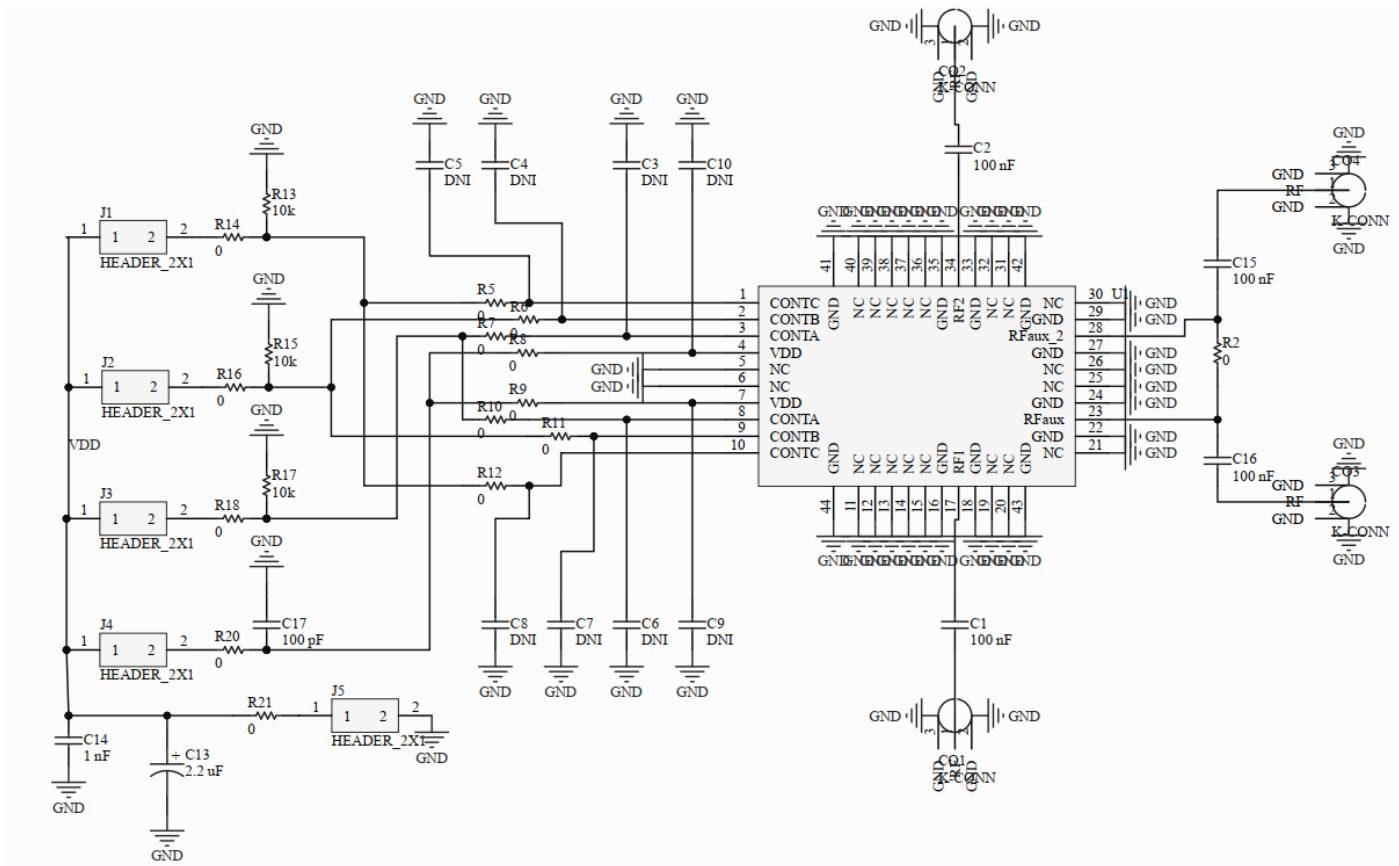
PIN Name	Definition	Comment
C01	RF IN	SMA Connector
C02	RF OUT	SMA Connector
C03, C04	ByPass Path / RF Aux	SMA Connector
J1 Right, J2 Right, J3 Right	N/A	2.54mm Header
J1 Left	CTRL C	2.54mm Header
J2 Left	CTRL B	2.54mm Header
J3 Left	CTRL A	2.54mm Header
J4 Right, J4 Left	Shorted	2.54mm Header
J5 Right	VDD	2.54mm Header
J5 Left	GND	2.54mm Header

Notes:

1. VDD Voltage is detailed in Datasheet.
2. CTRL A, CTRL B and CTRL C are detailed in Datasheet.
3. The definition of right and left is valid for this view of PCB.

2 DESIGN INFORMATION

2.1 Schematic



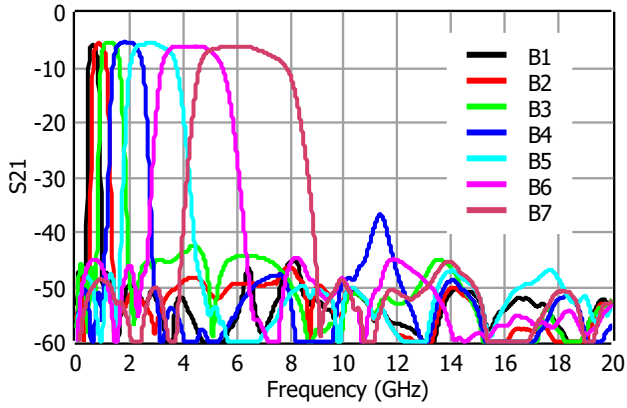
2.2 BOM

Designator	Footprint	Qty	Comment	PN
CO1, CO2, CO3, CO4	SMA Connector	4	SMA Connector	
J1, J2, J3, J4, J5	HEADER_2X1	5	HEADER_2X1	
R2, R5, R6, R7, R8, R9, R10, R11, R12, R14, R16, R18, R20, R21	0402	14	0R	
R13, R15, R17	0402	3	10k	
C1, C2	0402	2	0.1uF	530Z104KT10T
C15, C16	0402	2	100 nF	
C3, C4, C5, C6, C7, C8, C9, C10	0402	8	DNP	
C13	CASEA	1	2.2 uF	
C14	0402	1	1 nF	
C17	0402	1	100 pF	
U1	ATEKQ6640	1	Filter Bank	ATEK950 P51

3 TYPICAL PERFORMANCE PLOTS

Conditions unless otherwise specified: T = 25 C, CW. For details, please refer to the datasheet.

S21, Vdd=5 V



S21, Vdd=5 V, Log Scale

