

User Guide

EVB-ATEK950AP6-02

Document Code : 023-300201
Revision No : 01
Revision Date : 25/07/2021

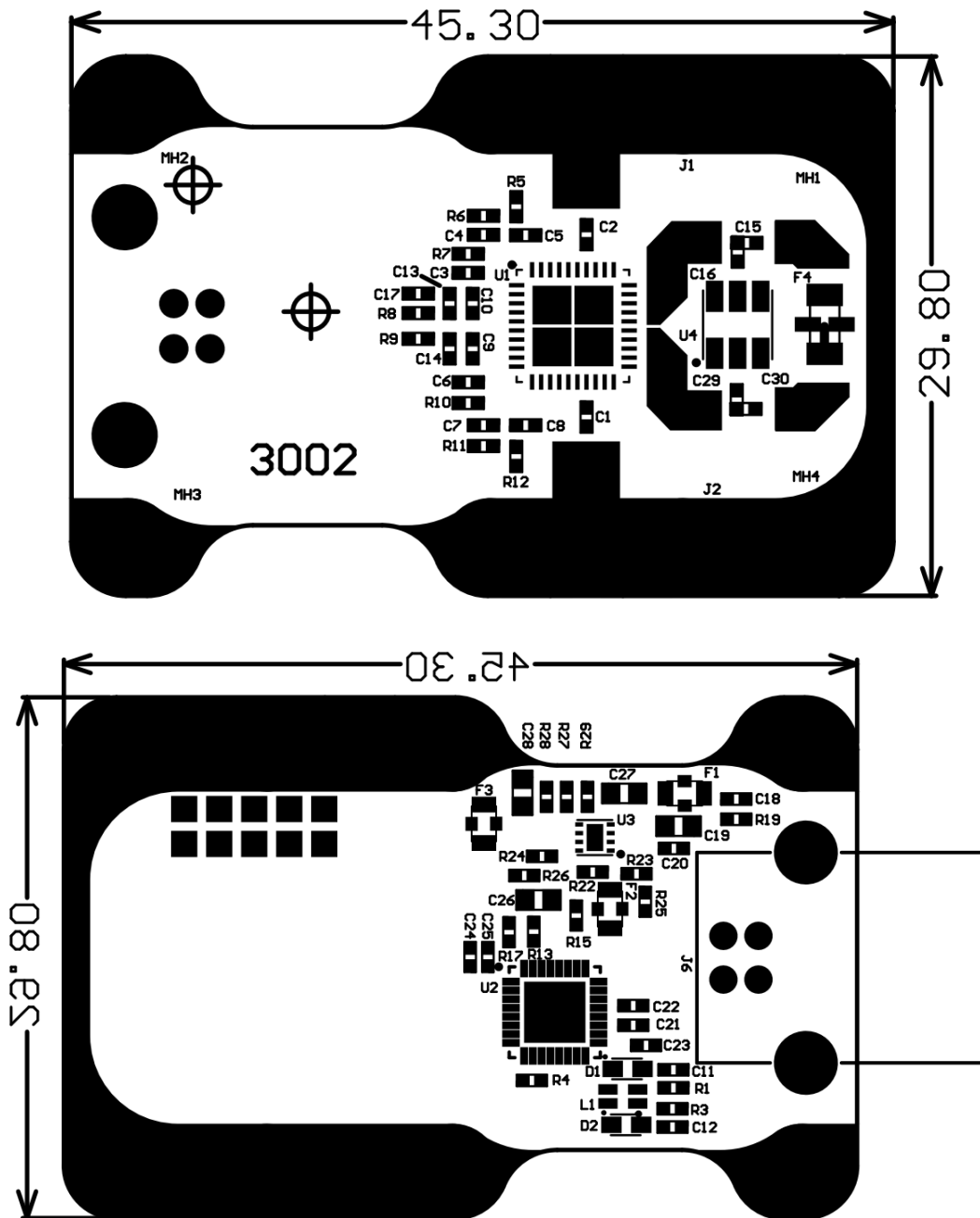
Revisions

Revision No	Revision Date	Revision Reason	Section / Page No
1.0	25.07.2021	Initial Version	

INDEX

1	GENERAL INFORMATION	3
2	DESIGN INFORMATION	4
2.1	SCHEMATIC	4
2.2	BOM	5
3	TYPICAL PERFORMANCE PLOTS.....	6

1 GENERAL INFORMATION



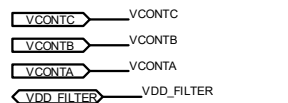
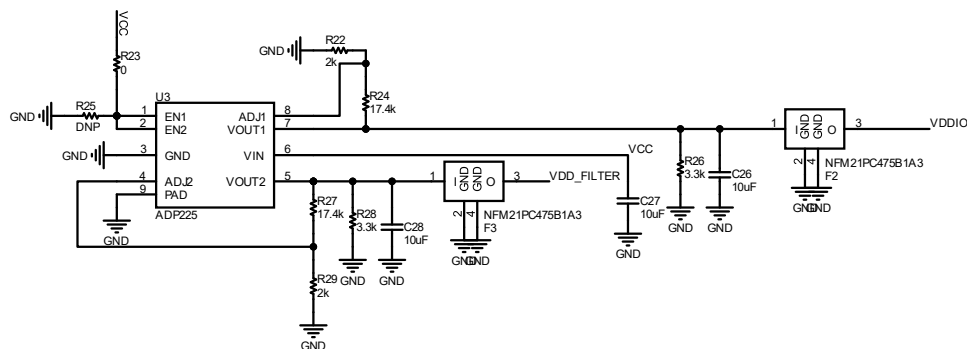
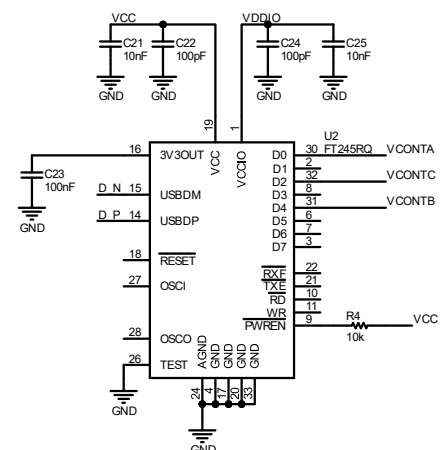
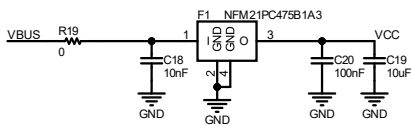
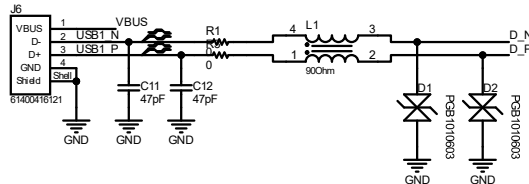
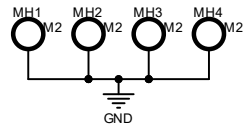
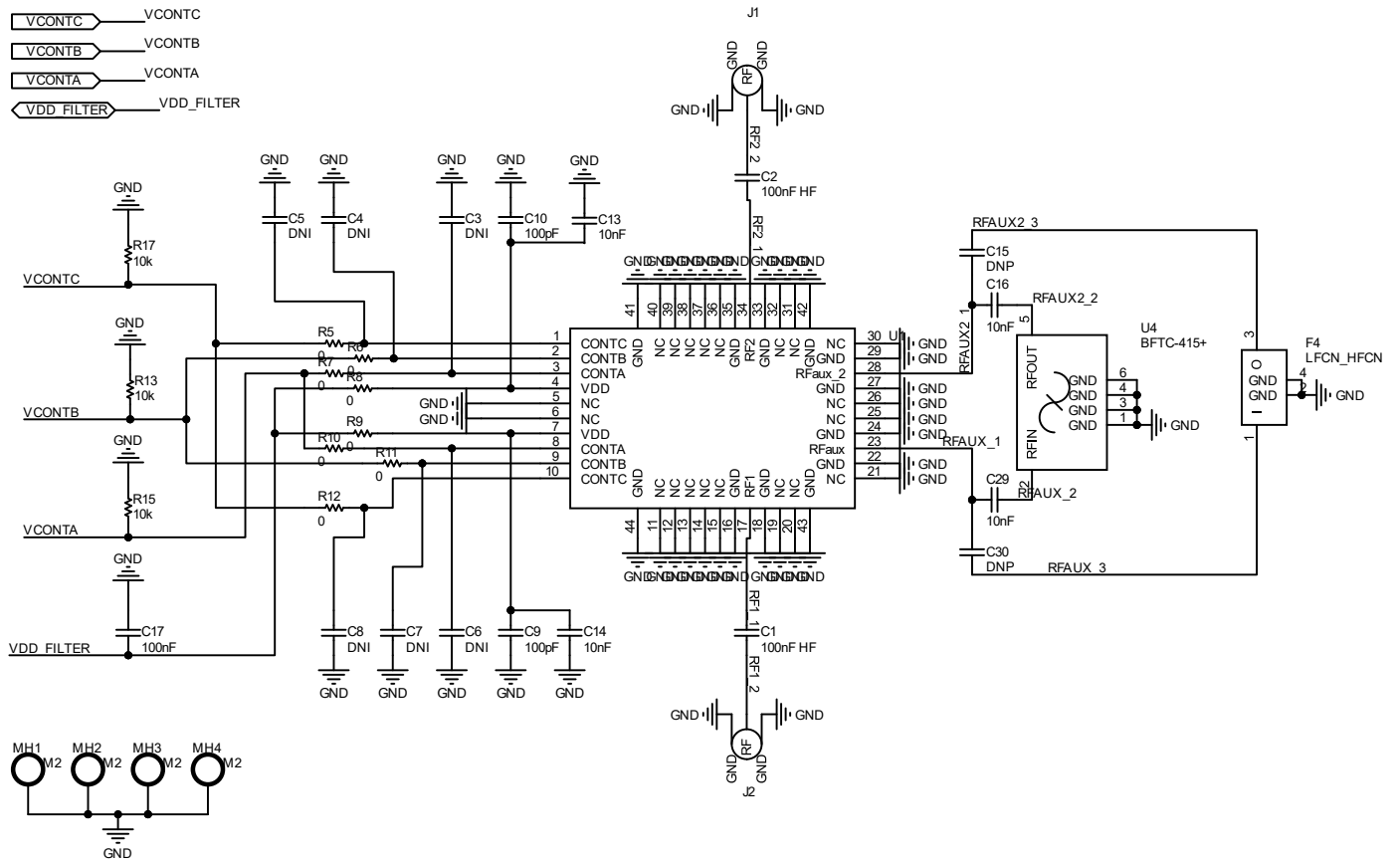
PIN Name	Definition	Comment
J1 (CO1)	RF IN	SMA Connector
J2 (CO2)	RF OUT	SMA Connector
J6	USB Type B – Power & Control IO	2.54mm Header

Notes:

1. VDD Voltage is detailed in Datasheet.
2. Control Voltage is detailed in Datasheet.
3. The definition of up, down, right, and left is valid for this view of PCB.

2 DESIGN INFORMATION

2.1 SCHEMATIC



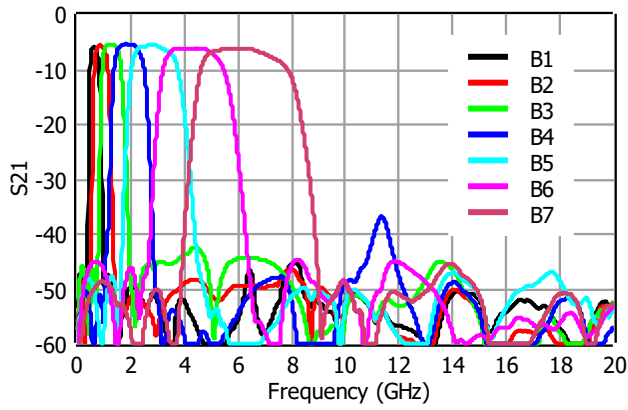
2.2 BOM

Designator	Footprint	Qty	Comment	PN
C1, C2	0402	2	0.1uF	530Z104KT10T
C3, C4, C5, C6, C7, C8, C15, C30	0402	8	DNP	
C9, C10, C22, C24	0402	4	100 pF	
C11, C12	0402	2	47 pF	
C13, C14, C16, C18, C21, C25, C29	0402	7	10 nF	
C17, C20, C23	0402	3	100 nF	
C19, C26, C27, C28	0603	4	10 uF	
D1, D2	0603	2	TVS Diode	PGB1010603NRHF
F1, F2, F3	0805-3	3	Feed Thru Capacitor	NFM21PC475B1A3
F4	FV1206	1	Low Pass Filter	DNP
U4	FR933-1	1	Band Pass Filter	DNP
J1, J2	SMA Connector	2	SMA Connector	SMA Connector
J6	USB Connector	1	USB Type B	61400416121
L1	WE-CNSW_0805	1	Filter	744231091
MH1, MH2, MH3, MH4	M2	4	DNP	
R1, R3, R5, R6, R7, R8, R9, R10, R11, R12, R19, R23	0402	12	0R	
R4, R13, R15, R17	0402	4	10K	
R22, R29	0402	2	2K	
R24, R27	0402	2	17.4K	
R25	0402	1	DNP	
R26, R28	0402	2	3.3K	
U1	ATEKQ6640	1	Filterbank	ATEK950 P51
U2	QFN-32	1	USB to Paralel IC	FT245RQ
U3	8-UFDNF	1	Linear Regulator IC	ADP225ACPZ-R7

3 TYPICAL PERFORMANCE PLOTS

Conditions unless otherwise specified: T = 25 C, CW. For details, please refer to the datasheet.

S21, Vdd=5 V



S21, Vdd=5 V, Log Scale

